



For The ON-THE-GO Pet™

# INSTRUCTION MANUAL

## DESIGNER 2-STEP

PG9816DBG/PG9816DCH/PG9816DSG/PG9816DTN  
PG10116DBG/PG10116DCH/PG10116DSG/PG10116DTN



**Carpet treads and designer cover remove easily and are machine washable.**

To see our full line of products, visit us online at: [www.petgearinc.com](http://www.petgearinc.com)

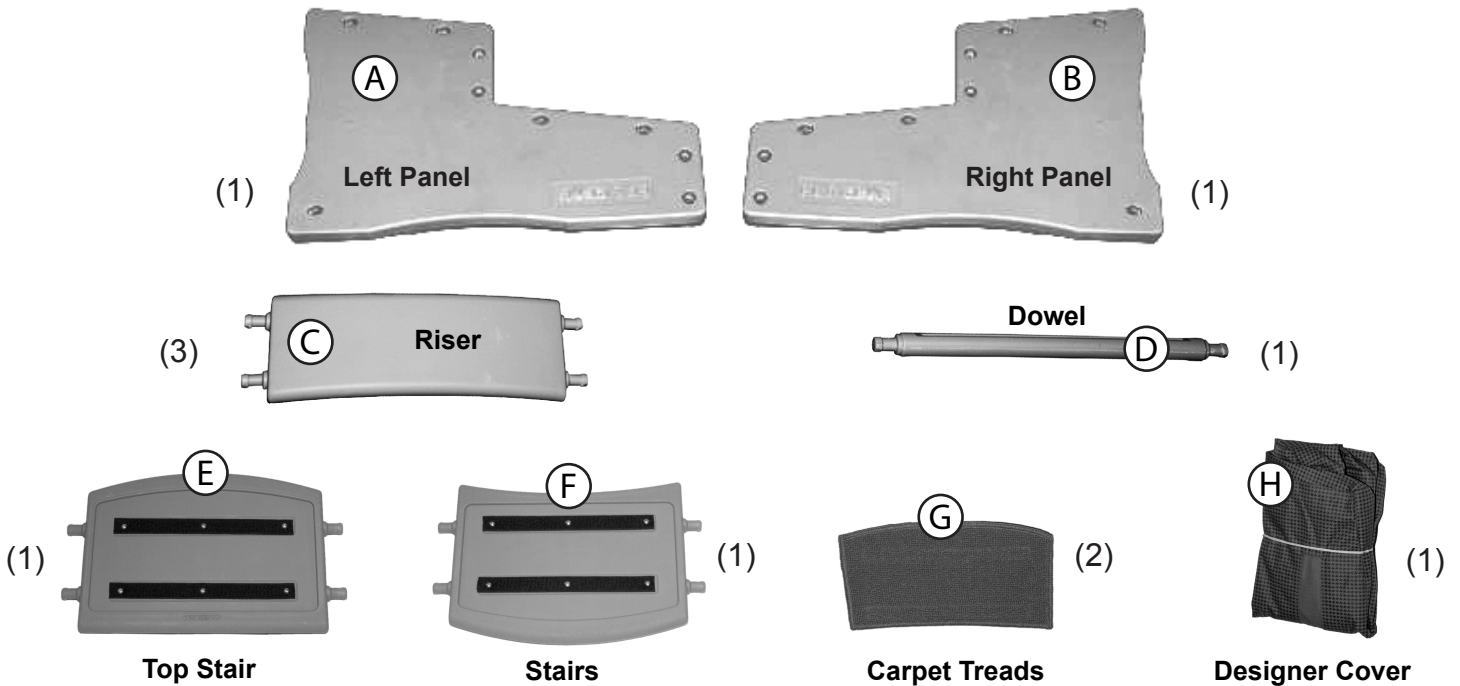
### CUSTOMER SERVICE HELP DESK

[customerservice@petgearinc.com](mailto:customerservice@petgearinc.com)

Toll-Free 877-752-9123 - Eastern Standard Time 8am-3pm, Monday through Friday

# PARTS LIST

Check that you have all the parts shown BEFORE assembling your product.  
If any parts are missing, call Customer Service. No tools required.



# INSTRUCTIONS

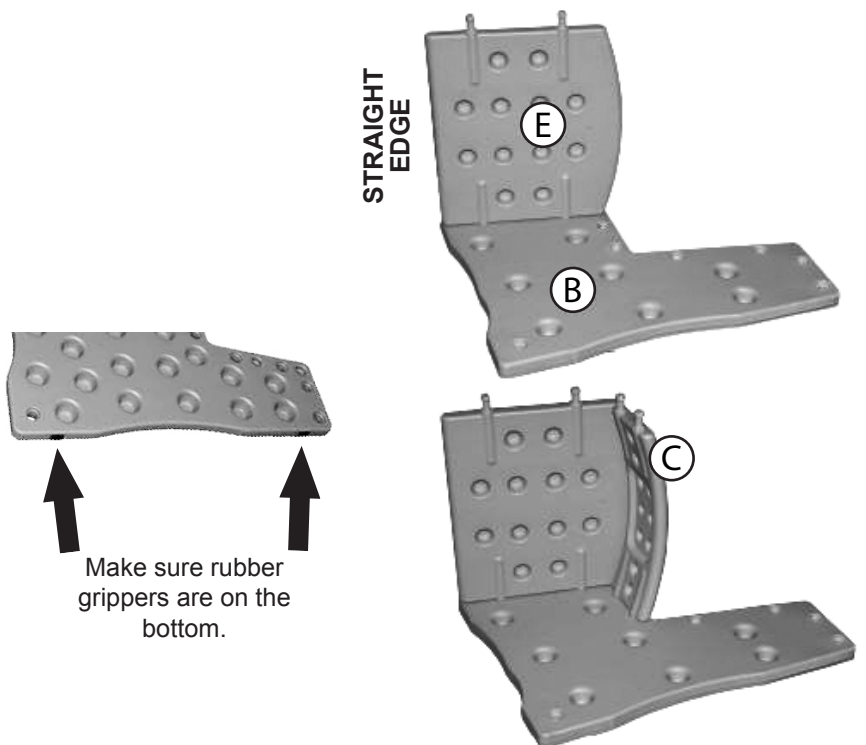
## Step 1

Place right panel, part (B) on floor with PET GEAR Logo facing the floor and insert top stair, part (E).

Keep the **STRAIGHT EDGE** toward the back and rug facing the top. Make sure there are no gaps between parts after inserting.  
(If inserting part is difficult put a little dish soap on doweled end before inserting.)

## Step 2

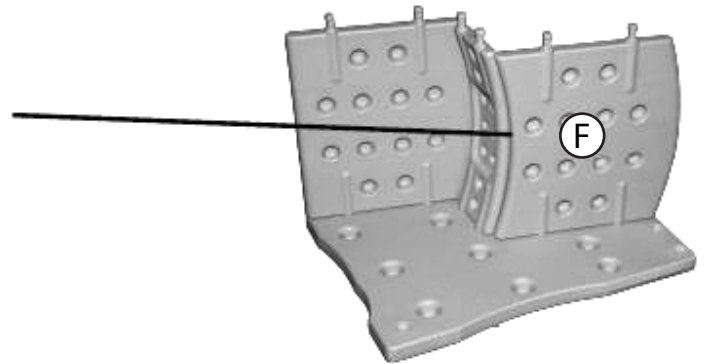
Insert riser, part (C). Make sure there are no gaps between parts after inserting.



# INSTRUCTIONS

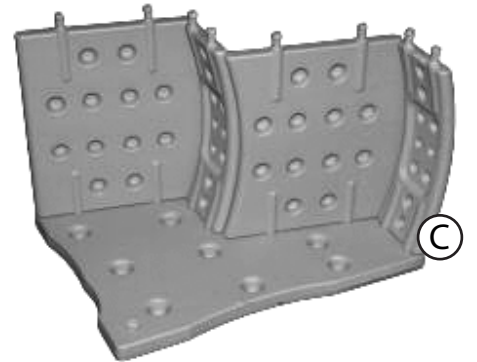
## Step 3

Insert stair, part (F). Note the **CURVED SIDE** direction. Make sure there are no gaps between parts after inserting.



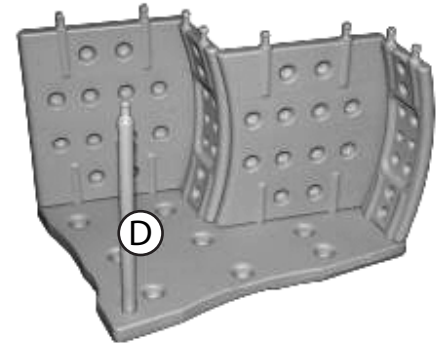
## Step 4

Insert riser, part (C). Make sure there are no gaps between parts after inserting.



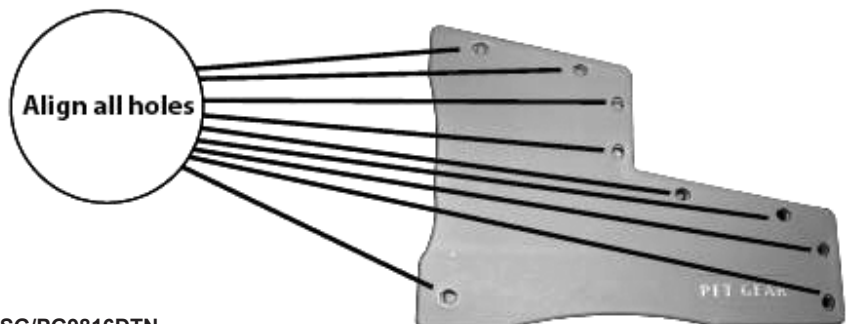
## Step 5

Insert dowel, part (D). Make sure there are no gaps between parts after inserting.



## Step 6

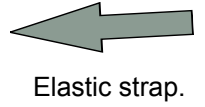
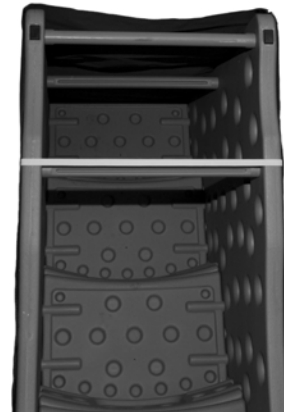
Attach left panel, part (A). Align all holes before pushing panel down. Make sure there are no gaps between parts after inserting.



# INSTRUCTIONS

## Step 7

Unfold the Designer Cover, (H), and drape it over the steps. Pull the elastic strap over the bottom of the stairs.

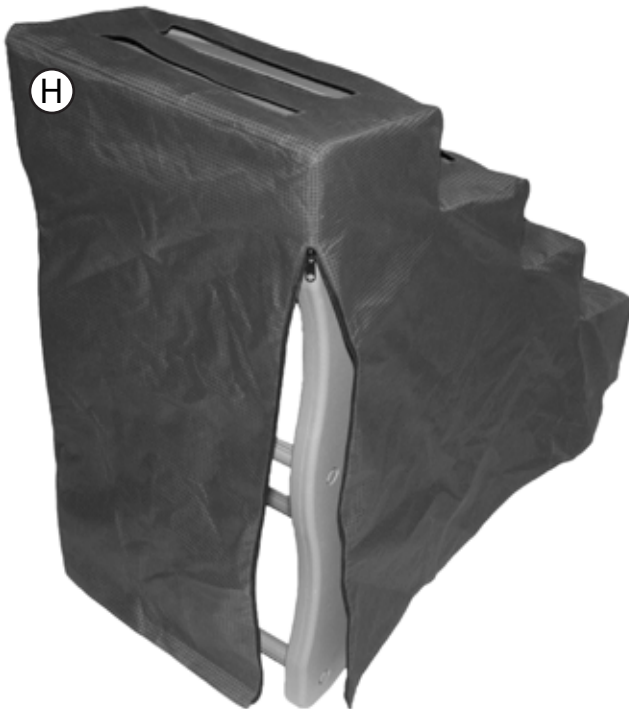


Elastic strap.

(Bottom view.)

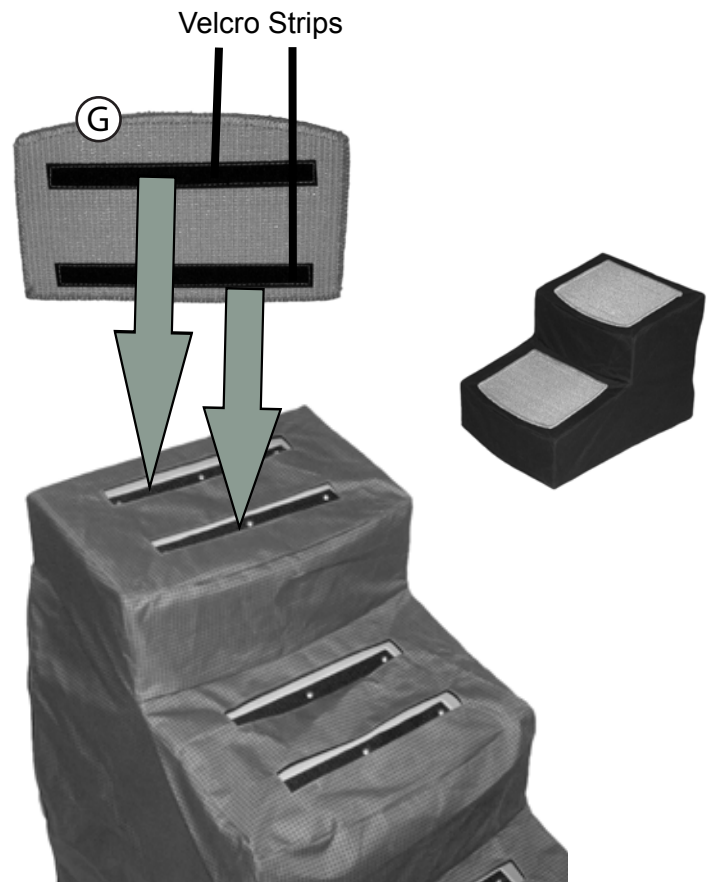
## Step 8

Pull the zipper down toward the floor.



## Step 9

Place carpet treads, (G), on top of the steps and connect with Velcro strips.



# **WARNING!**

## **FOR PETS ONLY.**

Not intended to be used as a restraining device for aggressive or dangerous animals that dig, chew or paw aggressively. Do not leave your pet unattended. **PET GEAR** is not liable for any damage caused by aggressive, destructive, immature or untrained animals. Do not use near an open or exposed flame. Failure to follow these warnings and the instructions could result in serious injury or death.

## **REPLACEMENT PARTS**

Please have your model number ready before calling. Use only Pet Gear replacement parts.



**PO Box 99  
West Rutland, VT 05777  
877-752-9123  
[www.petgearinc.com](http://www.petgearinc.com)**