



For The ON-THE-GO Pet™

INSTRUCTION MANUAL CLICK-N-GO AUTO CARRIER

PG1500



To see our full line of products, visit us online at: www.petgearinc.com

CUSTOMER SERVICE HELP DESK

customerservice@petgearinc.com

Toll-Free 877-752-9123 - Eastern Standard Time 8am-3pm, Monday through Friday

⚠ WARNING!

FOR PETS ONLY.

Not intended to be used as a restraining device for aggressive or dangerous animals that dig, chew or paw aggressively. Do not leave your pet unattended. **PET GEAR** is not liable for any damage caused by aggressive, destructive, immature or untrained animals. Do not use near an open or exposed flame. Failure to follow these warnings and the instructions could result in serious injury or death.

PARTS LIST

Check that you have all the parts shown BEFORE assembling your product.
If any parts are missing, call Customer Service. No tools required.

(1) Top

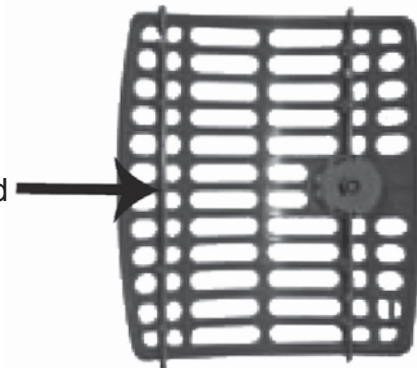


(1) Bottom



(1) Click 'N Go Base

(1) Rod



(1) Door



(1) Bowl



(1) Seat Belt Clip



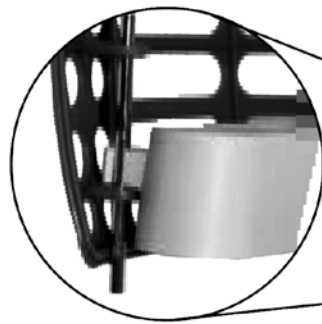
(4) Wing Nuts

ASSEMBLY

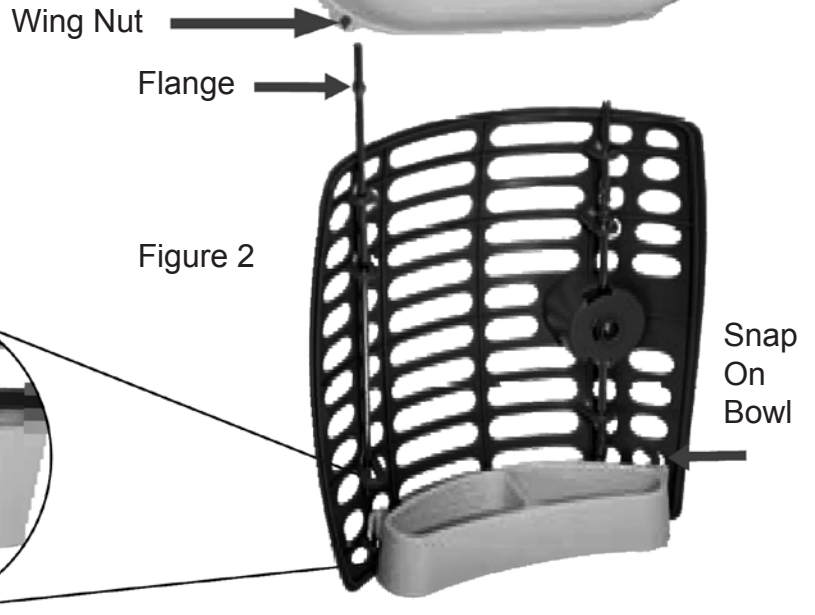
Step 1. Place top on bottom and secure with two wing nuts in back holes (Figure 1).

DO NOT INSTALL THE TWO FRONT WING NUTS UNTIL THE FRONT DOOR IS INSTALLED. DO NOT OVER-TIGHTEN!

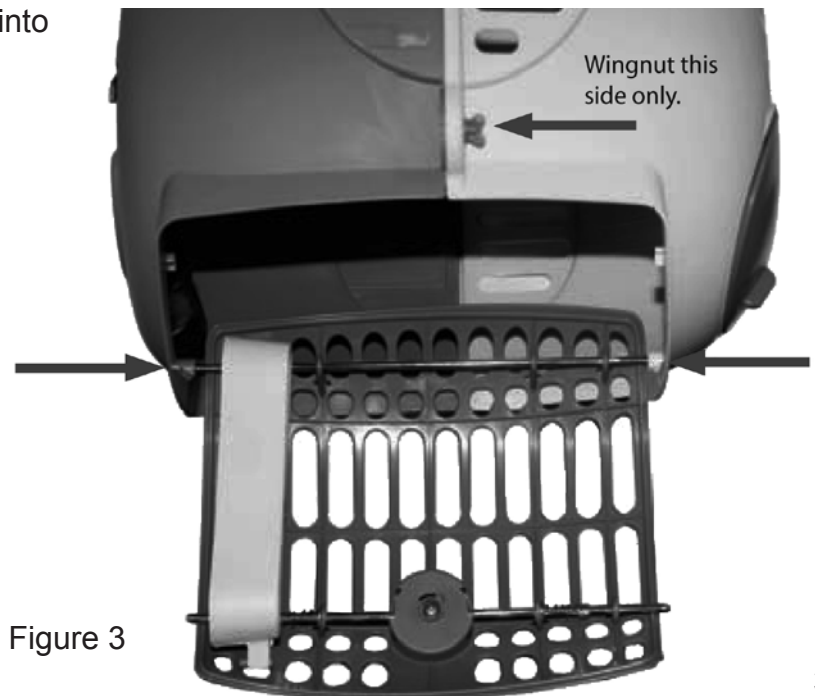
Step 2. Snap on bowl, then install metal rod through food/water tray. Make sure flange is at the top. (Figure 2)



Wing Nut Figure 1

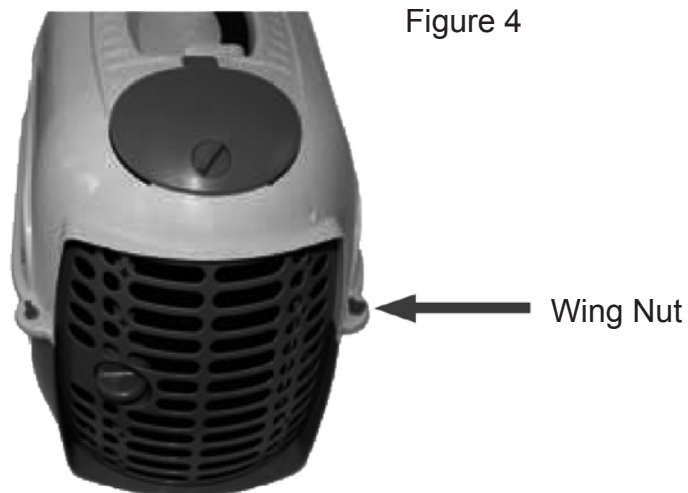
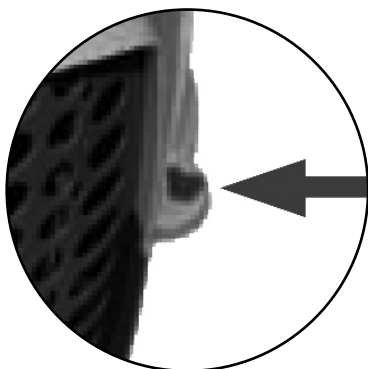


Step 3. Lay crate on its side, secure with one wing nut, then insert metal rod (with door attached) into holes. (Figure 3)



ASSEMBLY

Step 4. Insert final wing nut. (Figure 4)



TO INSTALL BASE

WARNING: IF BASE IS IN FRONT SEAT, SHUT OFF AIR BAG.

Step 1. Place seat belt through seat as shown and insert latch plate into buckle until you hear a click. (Figure 5)

Figure 5



Step 2. Pull on shoulder strap to tighten base and thread it back through the base. (Figure 6 and Figure 7.)

Figure 6



NOTE: BASE WAS MADE WITH AN ANGLE TO CONFORM TO YOUR CAR SEAT.

Figure 7



TO INSTALL BASE

Attach metal clip over both belts as shown in Figure 8, 9 and 10.

Pull on base to make sure it is secure.

The vehicle lap belt must be tight around the base and must stay tight.

If base cannot be held tightly, check owner's manual, see "Vehicle Seat Belt" section or move it to another seating location. If there is not a location that will keep the base secure with the lap belt, contact your vehicle dealer to have a lap belt installed in your vehicle.



Figure 8

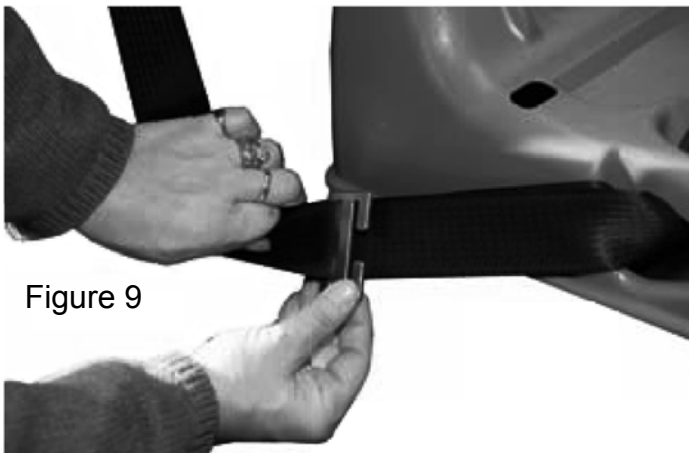


Figure 9

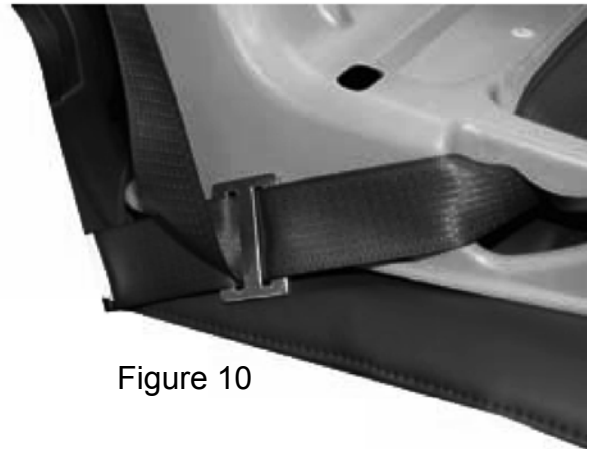


Figure 10

Place carrier on base. (Figure 11)

Pull up on handle to make sure carrier is secure. To release, depress lever and pick up on handle.

To remove locking clip

1. Unbuckle seat belt.
2. Pinch sides of seat belt together and remove metal clip.



Figure 11

REPLACEMENT PARTS

Please have your model number ready before calling. Use only **PET GEAR** replacement parts.



PO Box 99
West Rutland, VT 05777
877-752-9123
www.petgearinc.com

